

ServSwitch CX Quad IP

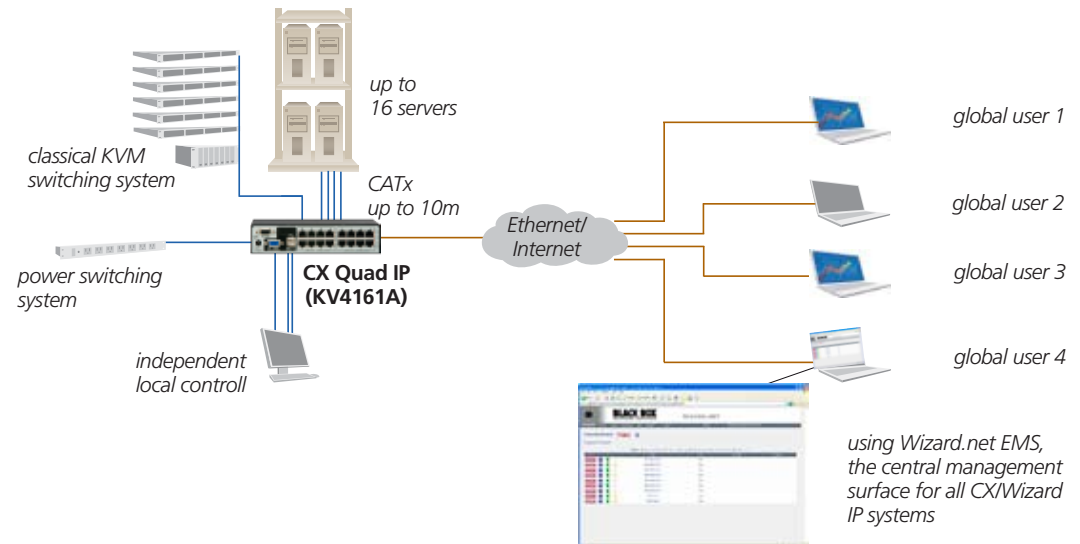
High end KVM Switching for four simultaneous IP users.



FEATURES

- » 4 simultaneous IP users via http or REALVNC.
- » Additional support for one independent local user.
- » Direct connections for up to 16 multi-platform servers.
- » Flexible cost saving CATx server connections.
- » VGA resolutions up to 1600 x 1200.
- » True DDC Emulation.
- » Secure access with AES 128-bit encryption and RSA2048 authentication.
- » LDAP integration.
- » Reset one or more host system power switches via the built-in power control port.
- » RS-232 control and synchronisation with other CX switches.
- » Ecopulse power saving of unnecessary circuits.
- » Configuration option for 16 separate user IDs with unique access privileges.
- » Including wizard.net network management software.
- » Open future-save architecture with free firmware up-grades.

coming soon:
RS232-SAMs for
console port management



OVERVIEW

High-performance IP access

ServSwitch CX Quad IP allows one independent local user plus four global users (located anywhere that has a network/internet connection) to view and take full control of multiple host computer systems. Each global (IP) user simply requires a Real VNC client application which is supplied on CD and can also be downloaded from various locations, even from the ServSwitch CX Quad IP unit itself. Alternatively, the unit can quickly serve a Java applet to a global user, requiring only a standard internet browser to operate. AES128-bit encryption and pRSA2048 password security keeps out unauthorized users.

Easy connections

There are no bulky KVM cables to deal with. Just run CAT5/5e/6 structured cables from the switch's server ports to the Server Access Modules (SAMs) that connect to your servers. You can mix and match different kinds of servers on the same CX switch. Simply choose the appropriate SAM for each server and you're all set.

Every connected computer can be linked by up to ten metres of standard CATx cable from the switch. ServSwitch CX Quad IP can directly support up to sixteen computers, however, this total can be increased to a maximum of 256 by adding ServSwitch CX UNO units in cascade to provide a much larger network of controlled computers.

Simple server selection

Whether you're working at a user station or the local analogue console port in the server room, you can select a server to access and control via onscreen menus or hotkeys. On-screen menus make server

selection simple because you can give each server a name that makes sense to you.

High resolution video

The IP engine supports resolutions up to 1600 x 1200 at 60Hz to ensure there is enough power to allow smooth KVM over IP control. DDC and continuous keyboard and mouse emulation further ensure faultless operation across your unique installation.

Take charge with your power.

ServSwitch CX QUAD IP has a power control port that enables a remote user to reset one or more power switches in the host system.

LDAP integration

Authenticate users against your existing LDAP infrastructure. LDAP can be enabled and disabled.

Ecopulse power saving

The ecopulse feature powers down not required circuits to reduce power requirements. Over the life of the product this will save significant power resources.

Small form factor

Less than half the width of a standard 19" mountable device, the CX Quad IP supports via cascade up to 32 servers and eight IP sessions in 1U of rack space. Together with a KVM drawer like the ServView, it is an ideal solution for dense server rack environments with IP-based remote control options.

continued on page 3 ...



PS/2 SAM
(KV1400A)



USB SAM
(KV1401A)



CX Quad IP
rear view
(KV4161A)

Central Enterprise Management

Using the included Enterprise Management Software ServSwitch wizard.net, you can manage all your ServSwitch CX IP, CX Uno IP, CX Quad IP, ServSwitch Duo IP and Wizard IP/IP Plus via a common surface. The EMS allows a high performance work-flow combined with efficient ergonomic and state-of-the-art security features. Call our FREE TECH SUPPORT for more details.

Coming soon: RS232-SAMs

With the up-coming RS232 SAMs the CX Quad IP will offer besides KVM control also full management for your serial consoles.

Ready right now—and for the future.

The ServSwitch CX Quad IP can be flash upgraded. Latest Firmware-Upgrades can be downloaded from the Black Box website free of charge. So the switch is fully obsolescence-proof.

TECH SPECS

Video — up to 1600 x 1200 @ 60Hz; DDC emulation supported via connected Server Access Modules
Hardware Compatibility — Video, mouse and keyboard for PC, Sun, Mac, RS/6000, Alpha and SGI computers using PS/2, USB or Sun flash up-gradable SAMs
OS Compatibility — all currently known software and operating systems including all Windows versions, DOS, Linux, Unix, BSD, all Sun OS, all Mac OS and NetWare.
Connectors CX Quad IP — local analogue console port: (1) HD15 F VGA Video, (2) USB type A F keyboard and mouse; CATx CPU connections: (16) RJ-45 F; TCP/IP user ports: (1) RJ-45 F 10/100 auto-sensing Ethernet network port supporting four simultaneous IP-sessions; Power: (1) 2.5mm DC jack; Serial: (1) DB9 F for upgrade, synchronization, RS232 triggered power switching and remote control
Connectors CX SAMs (Server Access Modules) — KV1400A: (1) RJ-45, (2) 6-pin mini DIN M, (1) HD15 M; KV1401A: (1) RJ-45, (1) USB Type A M, (1) HD15M; KV1404A: (1) RJ-45, (1) 8-pin mini DIN M, (1) HD15 M, (1) 3.5 mm audio

Indicators — (6) LEDs: Local, Remote, VNC, Speed, Link, Power
Power — external power supply, 100 to 240 VAC/ 5 VDC 2.5A autosensing (PS649-R3)
OS Compatibility — all currently known software and operating systems including all Windows versions, DOS, Linux, Unix, BSD, all Sun OS, all Mac OS and NetWare.
Housing — robust metal case
19" rack-mounting — with optional rack mount kits RMK2004 (1 unit) or RMK2004A-2 (2 units in 1U)
Size — 1U, 198W x 44H x 120D mm
Weight — 0,77 kg
Operating Temperature — 0 to 40° C

What's included

- (1) CX Quad IP,
- (1) power supply,
- (1) IEC320 power cord
- (4) self-adhesive rubber feet
- (1) CS with software and manual

Buyer's Guide	Serv Switch CX Series			
	simult. IP user	simult. CATx user	local user	# CPUs
CX Uno (KV0081A/KV0161A)	0	1	1	8/16
CX (KV0416A-R2/KV0424A-R2)	0	4	1	16/24
CX UNO IP (KV1081A/KV1161A)	1	0	1	8/16
CX IP (KV1416A-R2/KV1424A-R2)	1	2	1	16/24
CX Quad IP (KV4161A)	4	0	1	16

Item	Code
ServSwitch Quad IP	KV4161A
ServSwitch CX Server Access Module	
PS/2	KV1400A
USB	KV1401A
Sun	KV1404A
You may also need ...	
19" rack mount kit (1 unit in 1U)	RMK2004
19" rack mount kit (2 units in 1U)	RMK2004-2
Spare power supply	PS649-R3